



Introduction:

The ME60BT is a four channel, 120 Watts RMS Bluetooth wireless audio amplifier, capable of delivering up to 30W RMS per channel. It has a compact, water resistant design that allows for flexible mounting possibilities. The control keypad is designed to withstand installation in the gas zone of a portable spa and is equally suited for use in a marine environment.

The unit accepts either audio streamed via Bluetooth connection or hard wired input via RCA input. The waterproof control pad is easily mounted as the body of the keypad is threaded and the large mounting nut is tightened against the back side of the mounting surface.

Uses:

- To add up to four loudspeakers or two popup speakers and a subwoofer to a portable spa
- As a stand-alone system amplifier for any audio source (Mp3 player or standard audio system)

Features:

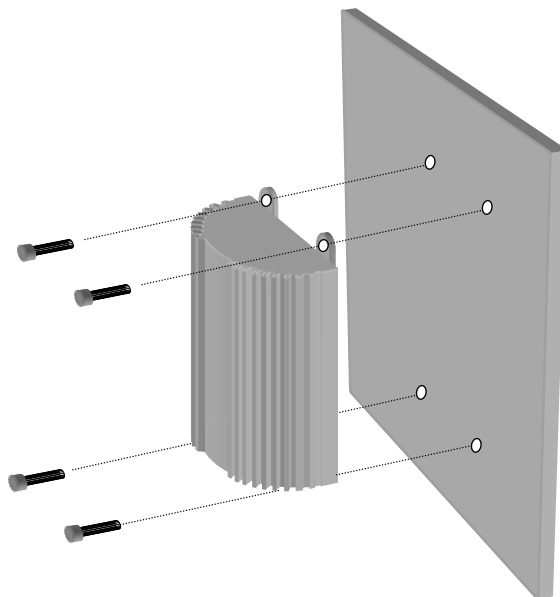
- Powers up to (8) 4ohm speakers
- Internal distortion limiting circuits
- Dedicated Subwoofer gain level control
- External waterproof control pad included
- Water resistant design for spa or marine use
- Rear channels switchable from full range to powered sub out.

- Water resistant design for confident marine use

INSTALLATION INSTRUCTIONS

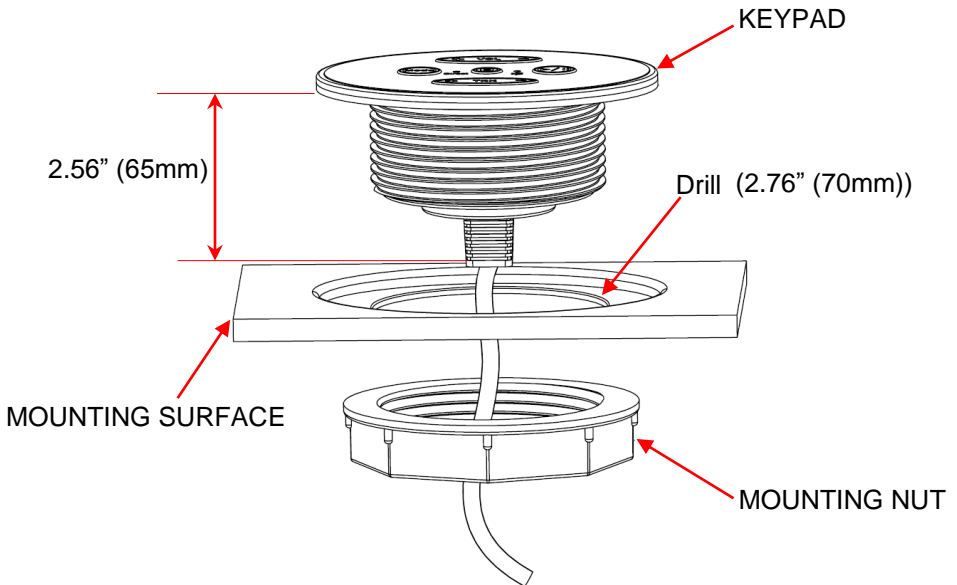
Mounting the Amplifier:

- 1) Choose a mounting location that is well ventilated. The Amplifier generates significant heat when operating at high power levels.
- 2) It is preferable to mount the unit such that the ventilation fins are vertical or facing upward.
- 3) Drill 1/8" (3mm) pilot holes in the mounting surface corresponding to the 4 mounting flanges of the amplifier. Be sure not to drill into any critical areas of your boat or spa or vehicle.
- 4) Fasten the amplifier to the surface securely using the 4 included tapping screws.



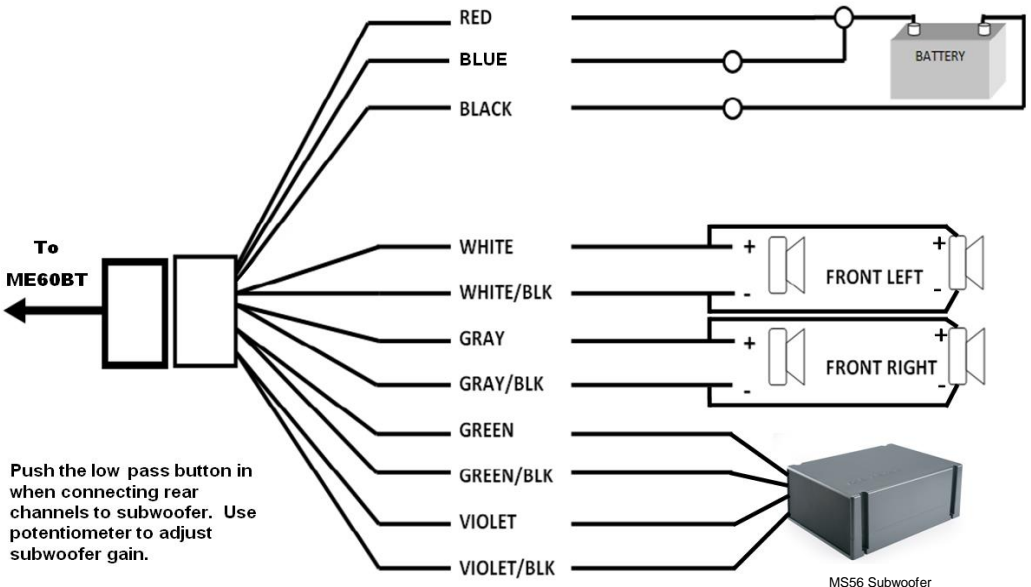
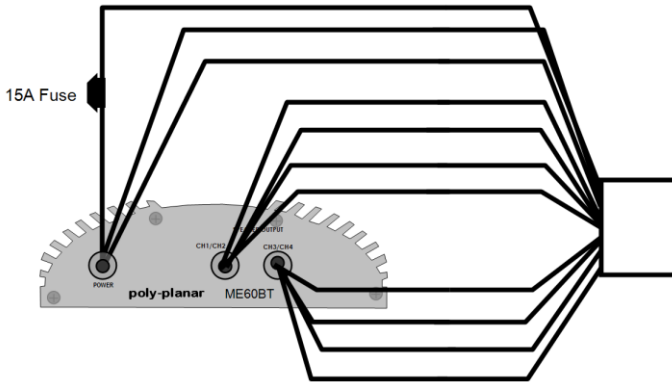
Mounting the Keypad Control:

- 1) Choose a mounting location with a flat surface the size of the keypad control body
- 2) There must be at least 2.56" (65mm) of clearance behind the mounting area
- 3) Drill a 2.76" (70mm) hole making sure that there is nothing behind the surface that could be damaged.
- 4) Run all cables, make connections, and test the entire system.

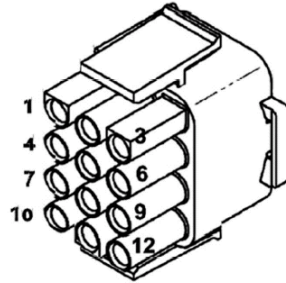


Wiring Details:

Use the wired plug end (Pigtail) provided to make power and speaker connections according to the diagram below. Using this connector will make it easy to disconnect the amplifier for adding additional features or service. Removing the factory plug end will void warranty.



| Wire Color | Function |
|-----------------|------------------------|
| Red | 1 B+ (+12VDC) |
| Green w/stripe | 2 Rear Left Speaker- |
| Green | 3 Rear Left Speaker+ |
| BLANK | 4 BLANK |
| White w/stripe | 5 Front Left Speaker- |
| White | 6 Front Left Speaker+ |
| Blue | 7 B+ (+12VDC) |
| Gray w/stripe | 8 Front Right Speaker- |
| Gray | 9 Front Right Speaker+ |
| Black | 10 Ground (Neg) |
| Violet w/stripe | 11 Rear Right Speaker- |
| Violet | 12 Rear Right Speaker+ |



Power Wire Specifications:

Red Wire and Blue Wire - Connect this two wires to a +12V.

Black Wire - Connect this wire to the negative battery terminal or other good power ground.

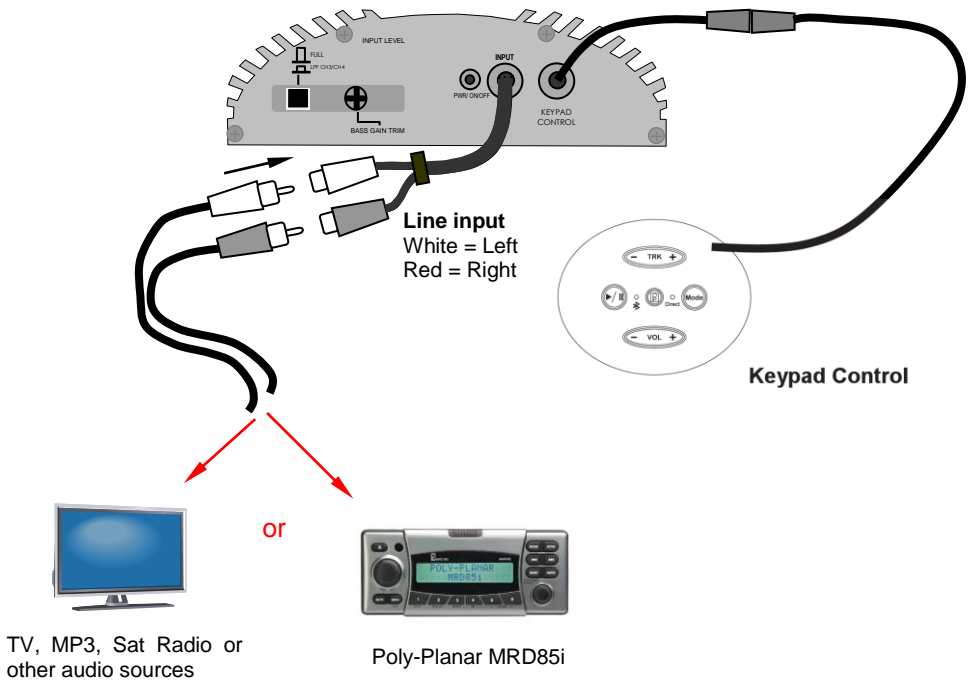
Notes:

- Use the included plug/wire bundle to connect to the power source and speakers.
- The Red, Blue and Black power wires should be 16AWG or larger depending on the length to the battery. NEVER operate the unit without the proper power and ground wire.
- NEVER ground the speaker leads and NEVER allow the speaker leads to come in contact with each other. The speaker wire should be at least 20 gauge or larger. Be sure to observe the correct polarity on the speaker connections
- Use quality crimp connectors to connect wires together. Seal the connection well with electrical tape.
- NEVER operate the unit without proper fusing. Fuse holder must be located within 2 feet from the battery. This fuse is to protect the vessel, not the electronics. In case of a short, the fuse will blow instead of the wire burning up. Using other than the recommended fuse ratings at the battery and at the unit may cause damage to the unit and will void your

warranty.

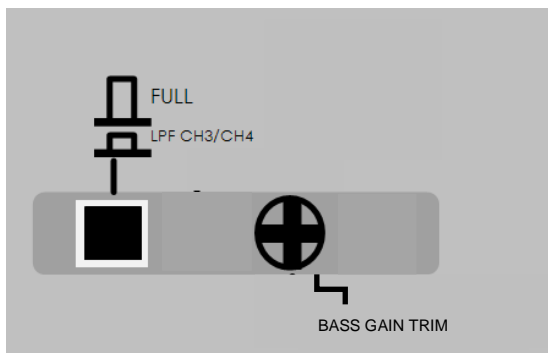
- Whenever possible, use cable ties, mounting clamps and similar wiring aids. Adding stress relief loop to wiring is also advisable to prevent straining or breakage.
- If after reading the directions you feel uncomfortable about installing the unit, or not equipped or competent to do so, you should have this installed by a professional installer
- Connect the white and grey loudspeaker wires to 1 or 2 pairs of loudspeakers. Pay close attention to polarity (black stripe = negative)
- Connect the green and purple loudspeaker wires to 1 or 2 pairs of loudspeakers or to a subwoofer if the low pass filter switch is depressed

Input connections:

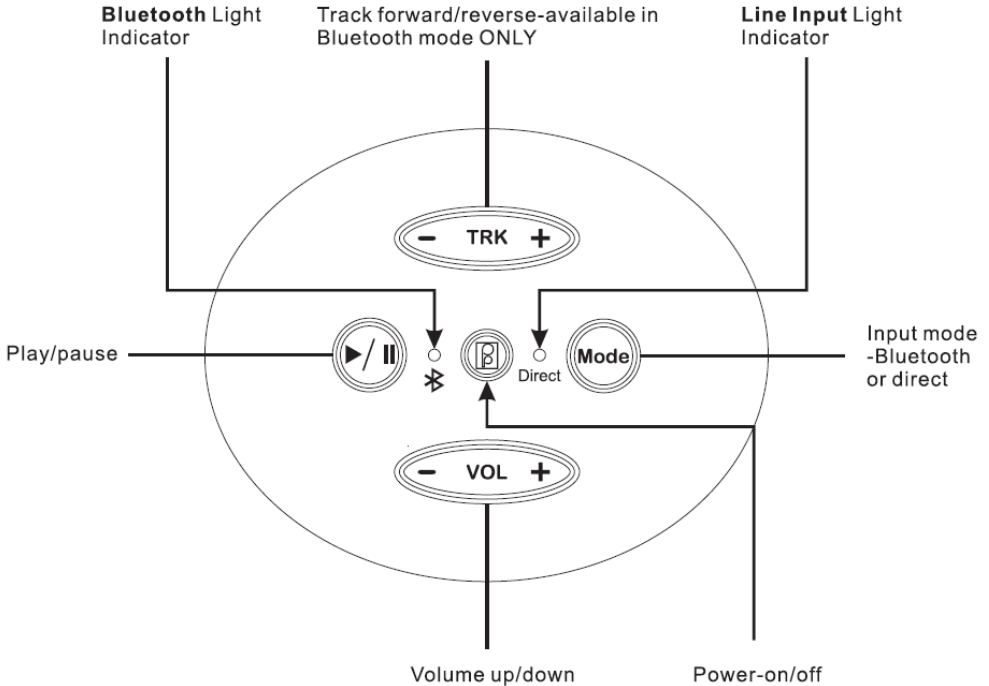


Switch & Gain Settings:

- 1) The switches and gain settings are secure behind a water resistant rubber seal. Be sure to replace the cover when finished with adjustments.
- 2) The low Pass Filter switch allows the user to optimize bass performance in the case a subwoofer is connected to channels 3 and 4. Poly-Planar recommends use of the Poly-Planar MS55 compact box subwoofer for excellent bass response. Push the low pass button in when connecting rear channels to subwoofer. Use potentiometer to adjust subwoofer gain.
- 3) The Bass Gain Trim adjusts the bass level output of channels 3 and 4 when the LPF switch is depressed. As a rule, keep the gain setting as low as possible while still insuring that the system will reach full output power.



KEYPAD DIAGRAM



- 1) Turn on the amplifier, Press **MODE** button to select Bluetooth function of your amplifier (Bluetooth light indicator should be blinking blue)
- 2) Turn on Bluetooth function of your mobile or music device
- 3) On your music device, click search for Bluetooth device. Make sure you are close enough to the amplifier.
- 4) Select "**PPGME60**" from the pairing list.
- 5) Enter "**6000**" as the password (if required). If "6000" does not work, please try "**60BT**".
- 6) Click "Connect"

- 7) Once connected, you can now start playing your favorite music from your music device.

- 8) Operating Range is up to 30' (will vary, dependent on installation)

LINE INPUT CONNECTION:

This unit can be connected to any portable music devices such as MP3 Player, TV and DVD through the LINE INPUT. Press **MODE** button to change the mode to LINE INPUT (Line In or Direct light indicator should be on and red).

Please note: In this mode, all controls and functions must be controlled from your music device.

Specifications:

| | |
|---|--|
| Speaker Impedance | 2 – 8 ohms |
| Output Power (2 ohm load) | 30 W RMS per channel |
| (4 ohm load) | 20 W RMS per channel |
| Frequency Response | 20 Hz – 40,000 Hz |
| Low Pass Crossover | 18 Hz – 245 Hz |
| Operating Voltage | 13.8V (10V – 16V) DC |
| Maximum current draw (full power) | 8 – 10 amps |
| Dimensions (approx. w/h/d) | |
| (a) Amplifier | 224mm X 106mm X 39mm |
| | 8.82 X 4.17 X 1.54 inches |
| (b) Keypad | 101.6mm X 88mm X 43mm |
| | 4.00 X 3.46 X 1.69 inches |
| Weight | 1.91 lbs |
| Installation Clearance (recommended)..... | 10 inches free space top and sides of heat sink |

WARRANTY INFORMATION

This unit is warranted to be free of defects in material and workmanship for a period of two years. Warranty is subject to proper installation and operation within the published specifications. Except as provided below, Poly Planar will repair or replace, at its discretion, any product returned prepaid to our facility and determined to be defective. Poly Planar is not liable for consequential damages

LIMITS OF LIABILITY

Poly Planar warranty does not cover damage occurred in transit, accident, abuse, misuse, negligence, fire, flood, lightning or unauthorized service. This warranty assumes no responsibility for damages incurred during installation of this equipment. This warranty covers normal consumer use only. In no event shall Poly Planar be liable for special, incidental, or consequential damages.

To obtain service under this warranty, please call Poly-Planar for a RETURN AUTHORIZATION NUMBER.

poly-planar

Maryland USA

(410) 761-4000

www.polyplanar.com

detach here



WARRANTY REGISTRATION

In order to validate your Warranty please complete this Registration Card within 1 week of purchase. Detach and mail to Poly-Planar Group, LLC P.O. Box 409 Hanover, MD 21076

| | | | |
|--------------------------|------------|--------------|------------------|
| SERIAL NUMBER (optional) | | MODEL NUMBER | DATE OF PURCHASE |
| LASTNAME | FIRST NAME | | EMAIL (optional) |
| STREET ADDRESS | | | |
| CITY | STATE | | ZIP |
| DEALER | CITY | | STATE |