

Pressure Switch Bypass Jumper installation

IMPORTANT

The Pressure Switch Bypass Jumper (PN 72768) is required for all spa models containing a heater without a pressure switch.

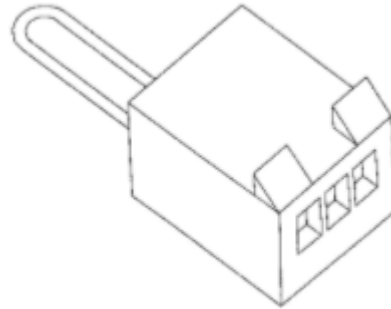


Figure 1

Bypass Jumper installation

1. Disconnect power to the spa.
2. Remove equipment compartment door.
3. Remove IQ2020 control box cover.
4. Plug the Pressure Switch Bypass Jumper onto P34 (Figure 2).

Note: The jumper is keyed; check orientation before connecting. The two wired connectors must make contact with the two pins on P34.

5. Reconnect power to the spa.
6. Check all heater functions to ensure proper jumper connection.
7. Re-install IQ2020 control box cover.
8. Re-install equipment compartment door.

Figure 2

