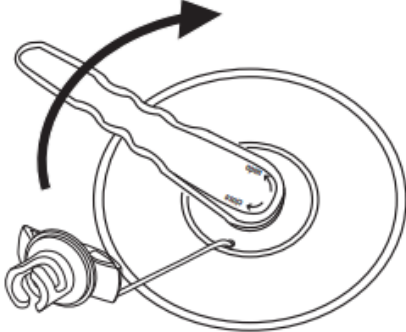


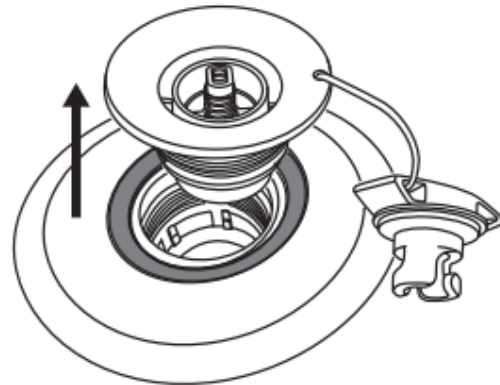
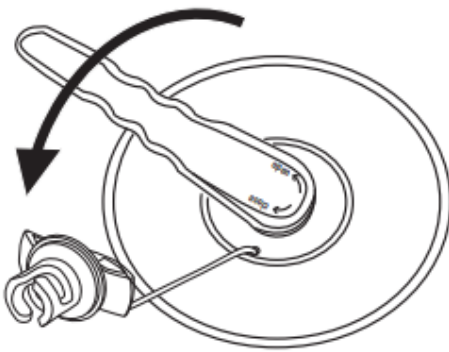
How to fix a leaking valve (Frame inflatable hot tubs - Mono and Naval)

A. Try to tighten the valve

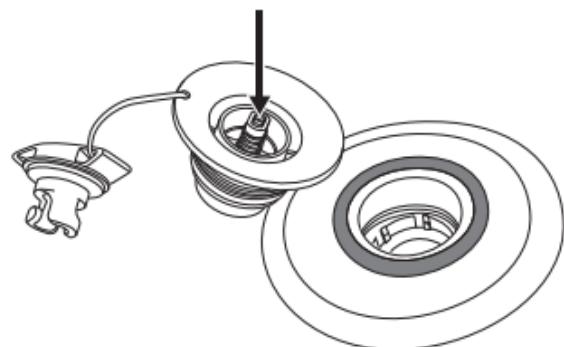
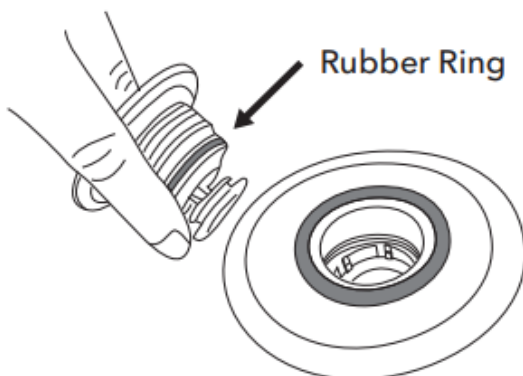


1. Inflate your spa to the max air pressure
2. Insert your valve wrench into the valve and turn the wrench clockwise to tighten the valve onto the spa

B. Re-install or replace the valve



1. Completely deflate your spa
2. Remove the dust cap, insert the valve wrench into the valve and turn counter-clockwise to remove the valve



3. Check the rubber ring to make sure that it is in the correct position, secured tightly around the valve, and check that there is no debris in the way .
4. Ensure that the pin spring is functioning properly and that there are no cracks along the edges.